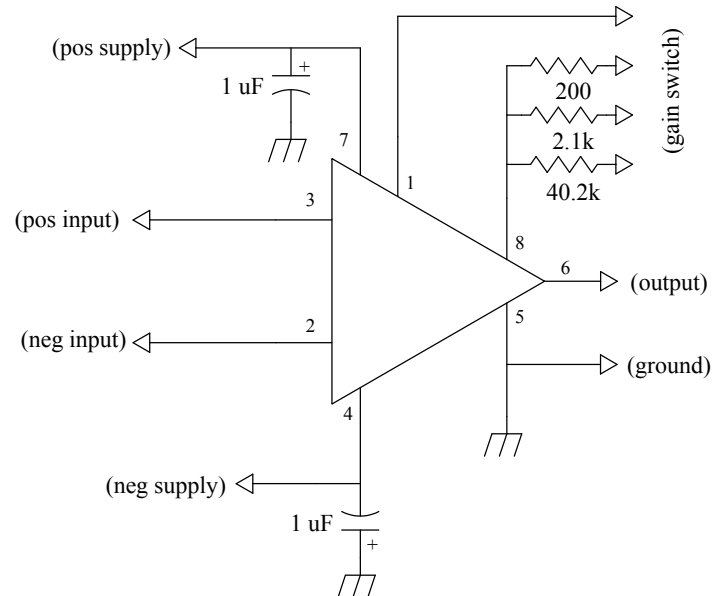


The diagram below shows the soldering connections for the prototyping board:



Notes:

1. The pin numbers refer to the AD627 amplifier chip, but use an 8-pin IC socket rather than soldering the chip directly to the board.
2. The small triangle symbols indicate lead wires that run off the board and will attach to components on the case. Leave these leads about six inches (15 cm) long.
3. Connections running from one point on the board to another should be solid wire. Off-board leads should be stranded wire to provide flexibility; use wires and groups of wires separated from a ribbon cable.